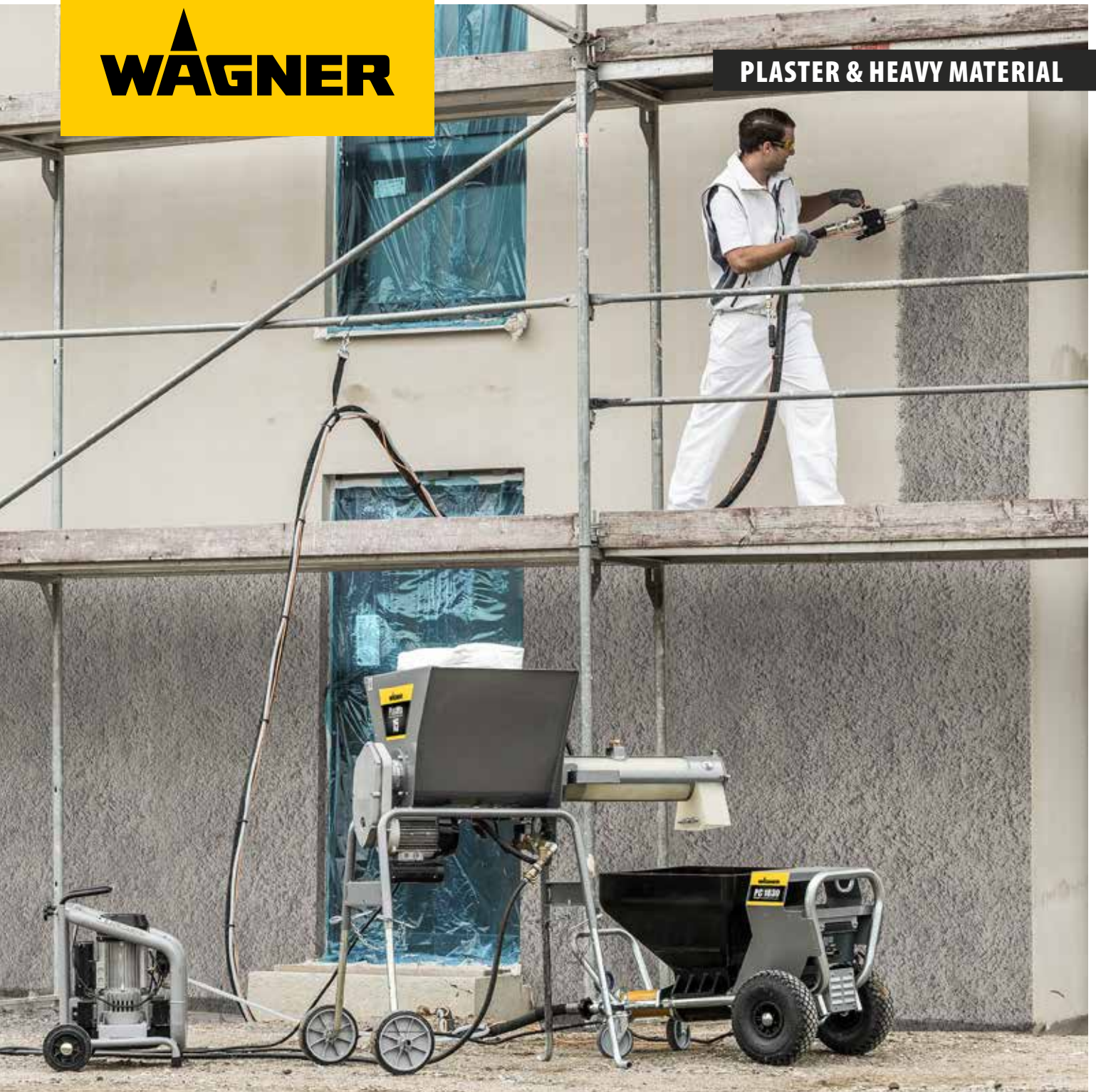


The Wagner logo features a black triangle above the word "WAGNER" in a bold, black, sans-serif font. The logo is set against a bright yellow rectangular background.

WAGNER

PLASTER & HEAVY MATERIAL



PLASTER & HEAVY MATERIAL

Machine-based application of plaster and other heavy materials

- Simple material handling
- Structuring
- Smoothing
- Top coating
- Reinforcing
- Mixing

wagner-group.com

Material application with screw pumps

The application of organic and mineral materials is really hard work. The material often has to be carried up in buckets over several floors, especially in multi-storey buildings. Dirt and mess at the construction site are inevitable. Things are much easier with WAGNER machine technology: The material is pumped from the ground to heights of up to 30 metres.

Simply effective.

You will find everything you need for **effective application** in the WAGNER equipment portfolio: feeders, mixers, spraying lances and practical accessories. The PlastCoat units are suitable for a huge variety of applications, for example the application of thermal insulation composite systems, the application of textured plaster, smoothing and structuring, structural waterproofing, concrete repair and much more.

Coating with WAGNER technology

When the material is applied using PlastCoat units, it is fed from the hose to the spraying lance by means of a spiral pump. When compressed air is injected at the spraying lance, the heavy material is atomized to ensure uniform application. Screw pumps use displacement mechanisms to deliver the material. Two components, the rotor and the stator, are used for this. The rotor rotates and thus transports the material gently to the cavities of the stator.

WAGNER equipment is exceptionally durable and low-maintenance. And that is also reflected in our warranty. All customers automatically receive a 3-year manufacturer's warranty when they purchase one of WAGNER's professional devices. However if you register online you can extend your warranty by two years to give you a total of five years' peace of mind!

www.wagner-group.com/professional-guarantee



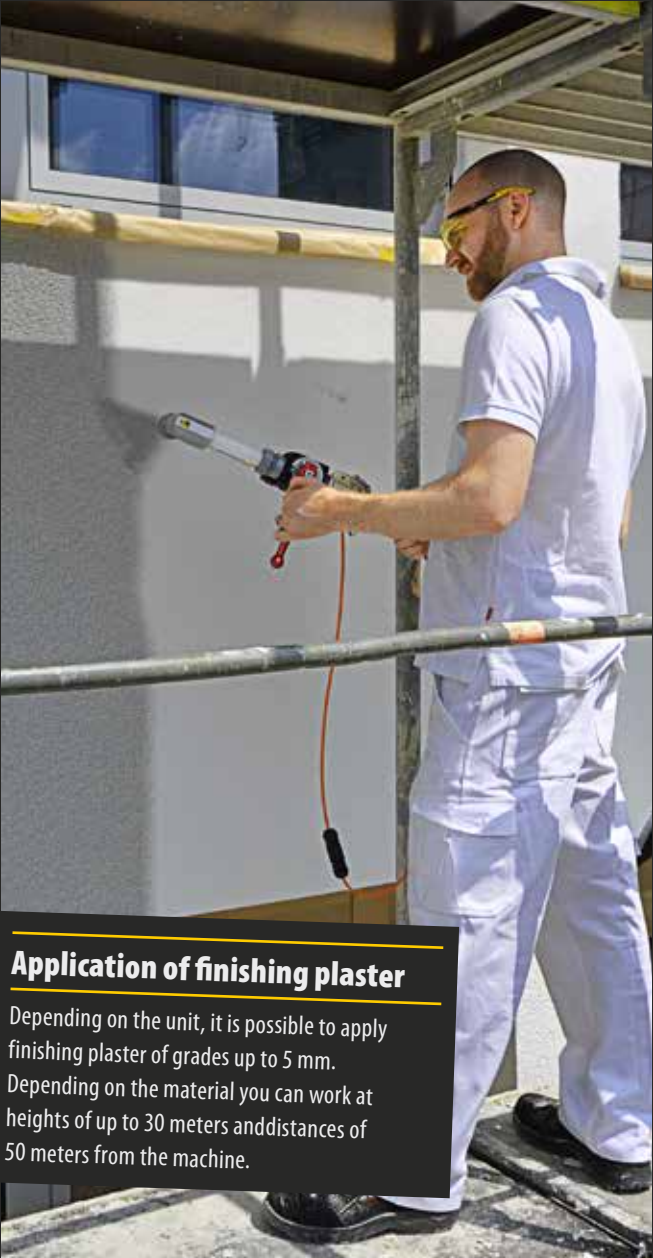
Simple transport of material

With WAGNER machine technology, the transport will almost take care of itself: Here, the material will be pumped from the ground to a height of 30 meters.

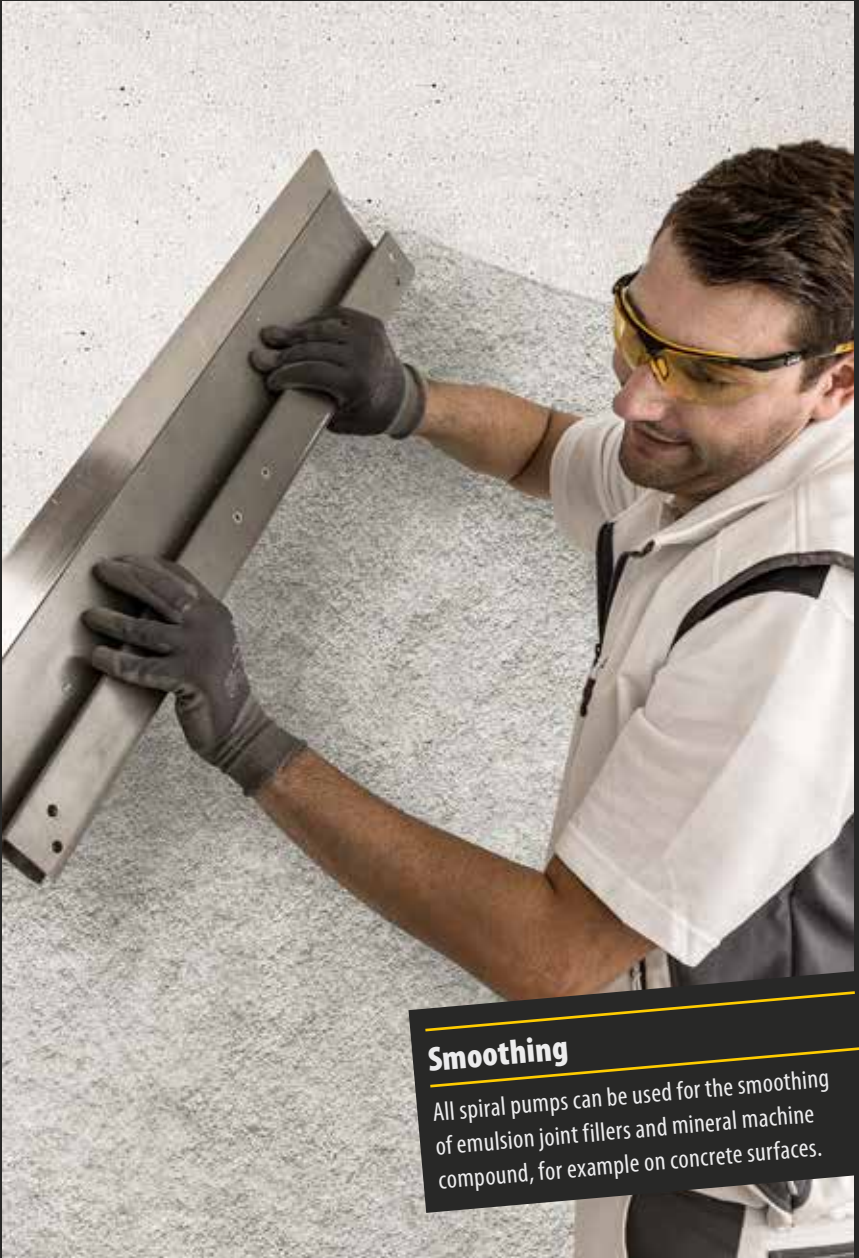


Reinforcement

The PlastCoat units ensure even application of the reinforcement paste. The reinforcement fabric can then be applied horizontally and skimmed.



Application of finishing plaster
Depending on the unit, it is possible to apply finishing plaster of grades up to 5 mm. Depending on the material you can work at heights of up to 30 meters and distances of 50 meters from the machine.



Smoothing
All spiral pumps can be used for the smoothing of emulsion joint fillers and mineral machine compound, for example on concrete surfaces.

Structuring
After smoothing, you can start texturing the ceiling and walls. The PlastCoat systems offer a wealth of design capabilities: From extremely fine, semi or coarse woodchip to spray plastering and styro-effects.



Outstanding materials range

PlastCoat units excel through their perfectly harmonized performance classes and their wide range of applications. Find the perfect product for all applications. PlastCoat units are not only ideal for large construction sites but also represent an economic solution for projects of less than 200 m².

Material	Object size	PC 830	PC 1030	PC 35	PlastMax	PC HP 10
Flame retardant, corrosion protection, fabric adhesives	up to 200 m ²	✓	✓			
	200 m ² - 800 m ²	✓	✓	✓	✓	
	more than 800 m ²		✓	✓	✓	
Fillers, Airless spraying fillers	up to 200 m ²	✓	✓			✓
	200 m ² - 800 m ²	✓	✓	✓		✓
	more than 800 m ²		✓	✓		
Structural waterproofing (bituminous coatings, thick coating materials)	up to 200 m ²	✓	✓			
	200 m ² - 800 m ²	✓	✓	✓		
	more than 800 m ²		✓	✓		
Plaster (brush rendering / concrete contact primer, final coat)	up to 200 m ²	✓	✓			
	200 m ² - 800 m ²	✓	✓	✓	✓	
	more than 800 m ²		✓	✓	✓	
Reinforcing stopper, bonded thermal insulation system adhesives / fillers, mineral renders	up to 200 m ²	✓	✓			
	200 m ² - 800 m ²	✓	✓	✓	✓	
	more than 800 m ²		✓	✓	✓	

✓ = suitable

Technical data	PC 830	PC 1030	PC 35	PlastMax	PC HP 10
Motor output	1,8 kW	2,2 kW	3,6 kW	3,0 kW	2,2 kW
Voltage	230 V / 60 Hz	230 V / 50 Hz	400 V / 50 - 60 Hz	230 V / 50 Hz	230 V / 50 Hz
Max. delivery rate	12 l/min	15/20/25 l/min ²	15/20/25 l/min ²	15 l/min	6 l/min
Max. delivery radius	30 m	50 m	50 m	30 m	20 m
Max. feed height	20 m	30 m	30 m	20 m	15 m
Weight	52 kg	58 kg	87 kg	191 kg	90 kg
Max. grain size	3 mm	6 mm	5 mm	5 mm	-
Max. Operating pressure	4 MPa	4 MPa	4 MPa	4 MPa	12 MPa
Mixing rate (guideline)	-	-	-	15 l/min	-

¹ depending on pump: 10 l/min - W10/3; 15 l/min - W15/2; 20 l/min - W20/1,5

² depending on pump: 15 l/min - W 10/3; 20 l/min - W 15/2; 25 l/min - W 20/1,5

PLASTCOAT 1030 IN DETAIL

Our bestseller – compact and lightweight: 58 kg weight, max. spraying height 30 m and 50 m delivery radius sprays a material with a grain size up to 6 mm.

Compact dimensions

With a height of 62 cm the unit can be easily filled using buckets or combined with a flow mixer

Plastic materialhopper

For an easy cleaning with a capacity of up to 50 litre

Automatic stator extraction

Fast separation of pump and suction system, also great for quick assembly. Ideal for easy cleaning and transport

Ergonomic spraying lance

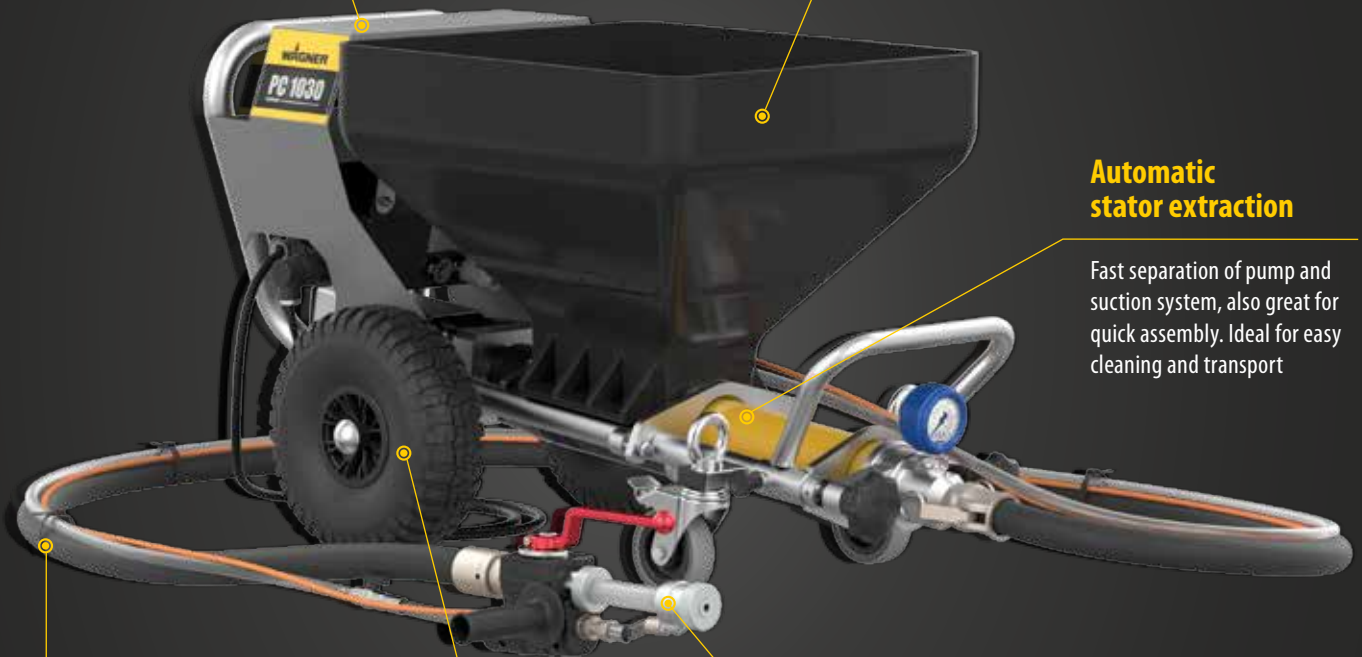
Due to its modular construction and accessories (e.g. the lance extension) the spraying lance can adapt quickly to any project

Included in scope of delivery

PC 1030 comes complete ready to spray incl. mortar hose (DN 25, 10 m), automatic spraying lance with nozzle and toolbox

Perfectly equipped for all construction sites

Big, pneumatic tires ensures mobility on all construction sites



The PlastCoat family - classic screw pumps

01



01 - PlastCoat 830 Spraypack - High-performance plaster spraying system for large areas

Professional coverage of large areas: powerful motor and integrated material container

Practical: Automatic stator extraction for easy cleaning

Wide range of possibilities: Rounded off by accessories such as bag presses

Easy to transport: Easy to dismantle

01 - Scope of delivery

- Basic unit, PC 830 E on trolley
- Mortar hose DN25, 10 m
- Spraying lance, automatic, incl. 6 mm nozzle
- Pump lubricant
- Cleaning accessories

Art. No. Spraypack: 2308 305

02



02 - PlastCoat 1030 Spraypack - The power to handle large volumes - compact and versatile

Compact and lightweight: 58 kg of weight with a delivery height of 30 m and delivery radius of 50 m, materials up to a grain size of 6 mm supported

Easy cleaning for use on building sites: automatic stator extraction and automatic pressure release

For large surfaces and easy transport: integrated 50-litre plastic container, four wheels and a low overall height

Maintenance-free and robust: brushless DC motor for a high torque

02 - Scope of delivery

- Base unit; PC 1030 E on trolley
- Mortar hose DN25, 10 m
- Spraying lance, automatic, incl. 6 mm nozzle
- Pump lubricant
- Cleaning accessories

Art. No. Spraypack: 2361 588

03



03 - PlastCoat 35 - XL for XL projects: High-performance favourite with proven worm pump technology

For large areas: Integrated 60-litre stainless steel tank

Exceptional performance: 30 m delivery height and 50 m delivery radius

Versatile: The unit is able to handle materials with a grain size of up to 5 mm

03 - Scope of delivery

- PC 35 E, 400 V / 50-60 Hz on trolley
- Pump casing W10/3, yellow
- Pump worm W10/3, $\varnothing = 40$ mm, L = 320 mm
- Complete accessory box for PlastCoat
- No spraypack

Art. No.: 0348 040

Mixing materials with PlastMax and PlastMix 15

01



02



03



01 - PlastMax - Mixing pump for the economical application of mineral and paste-like materials

Complete solution: Mixing, pumping and spraying with a single unit

User-friendly and powerful: clearly arranged control panel including speed inverter and material flow rate (up to 20 l/min, depending on pump casing) and much more

Easy transport and quick cleaning: the tiltable mixing chamber and the quick stator changing allow an easy cleaning. For transport the unit can be disassembled into four modules

Easy to maintain and durable: self-priming water pump with stainless steel case and brass impeller

Integrated compressor (250 l/min suction power): dirt resistant and oil-free compressed air for a low maintenance

01 - Scope of delivery

- Base unit; PlastMax on trolley
- Mortar hose DN25, 10 m
- In-wall lance, pneumatic
- Accessory box, complete, for PlastMax
- Stator
- Rotor

Art. No. Spraypack: 2361 587

02/03 - Flow mixer PlastMix 15

User-friendly operation: Clear controls easily dismantled for fast cleaning and maintenance.

High performance: Robust drive motor with direct transmission. The high torque ensures optimal start-up even with filled containers.

Always at the perfect height: adjustable frame (95 cm, 109.65 cm or 116.5 cm)

Available in four variants: With steel- (Abb. 02) or PUR mixing tube (perfect for an easy cleaning - Abb. 03); available with or without booster pump

Technical data

PlastMix 15

Motor output	1,4 kW
Voltage	230 V / 50 Hz
Min. water pressure	0,2 MPa
Mixing rate	15 l/min
Max. grain size	5 mm
Hopper content	60 l
Weight	78 kg

Art. No. steel mixing tube: 2348 669

Art. No. steel mixing tube + booster pump: 2351 507

Art. No. PUR mixing tube: 2359 240

Art. No. PUR mixing tube + booster pump: 2360 039

High-pressure screw pump **PlastCoat HP 10**

01



01 - PlastCoat HP 10 - High-pressure screw pump for paste-like materials

High performance: The 230 V system is continuously adjustable and impresses with its high delivery power of max. 6 l/min (depending on the consistency of the materials being processed)

Compact and robust: Round stainless steel material hopper with a capacity of 40 l and tyres suitable for construction site use make the machine an ideal partner for daily use

No additional compressor required: up to 120 bar working pressure

Innovative product features: Hard-wearing, easy to clean, quiet operation and much more.

01 - Scope of delivery

- Basic unit; PlastCoat HP10 on trolley
- Mortar hose (DN 19; 10 m)
- Mobility hose (DN 13; 2.5 m)
- Spray lance
- TradeTip 3 nozzle holder incl. TradeTip 3 nozzle 643

Art. No.: 2367 228



Technical data	PC HP 10
Motor output	2,2 kW
Voltage	230 V / 50 Hz
Max. delivery rate	6 l/min
Max. delivery radius	20 m
Max. feed height	15 m
Weight	90 kg
Max. grain size	-
Max. Operating pressure	12 MPa
Mixing rate (guideline)	-

Compressors and more

Compressors are essential for air atomization and guarantee perfect atomizing power. The PlastMix flow mixer is small and compact and every project can be completed without problems thanks to our innovative plaster spraying lance.

01



01 - Compressor C330/03

High performance: As powerful as a larger unit despite its compact size.

Economical: The oil-free pump unit of the flat engine saves expensive oil changes and minimizes service charges

Practical for construction site use: Thanks to its large tires, steps and difficult terrain are no problem.

Art. No.: 2337 718

02



02 - Compressor VKM 592

Powerful and reliable: The compressor is ideal for plaster spraying jobs.

Practical for construction site use: sturdy tires

Quiet and environmentally friendly: Thanks to the automatic shut-off, the compressor only runs when you really need it

Art. No.: 2311 921

03



03 - Standard plaster spraying lance

Ergonomic: The different handle positions mean that the spraying lance is always comfortable to hold

Modular: Thanks to the extension and attachments, the spraying lance can quickly be adapted to meet the needs of new projects

Time saving: The low-wear LongLife cylinder opens and closes the air and material flow simultaneously so that the unit can be operated with only one movement

Art.No.: 2334 115

Automatic spraying lance incl. 6 mm nozzle

Technical data	C 330/03	VKM 592
Motor output	2,2 kW	3,0 kW
Voltage	230 V / 50 Hz	230 V / 50 Hz
Max. work pressure	1 MPa	1 MPa
Suction capacity	330 l/min	590 l/Min
Compressed air tank	3 l	20 l
Engine speed	1400 min ⁻¹	1420 min ⁻¹
Weight	32 kg	78 kg

Technical data	spraying lance
Max. material pressure	4 MPa
Max. air pressure	1 MPa
Size in mm (l x w x h)	320 x 330 x 1700 mm
Weight	2,1 kg

Further accessories

In-wall lances

Ideally suited for all painting jobs.	Article no.
In-wall lance, automatic (01)	2334 121
In-wall lance, pneumatic	2334122

Spraying lances, accessories

	Article no.
Spraying lance extension 80 cm (02)	2334 123
Spraying lance extension 150 cm	2339 400
Spraying lance extension 200 cm	2334 124
Glue attachment (03)	2335 394
Fill and dosing attachment (04)	2335 388
Angle head 70° (05)	2337 672

Texture nozzles (06)

Material and nozzle are perfectly matched	Article no.
Texture nozzle, stainless steel, 4 mm	0268 779
Texture nozzle, stainless steel, 5 mm	0348 915
Texture nozzle, stainless steel, 6 mm	0268 780
Texture nozzle, stainless steel, 7 mm	0348 916
Texture nozzle, stainless steel, 8 mm	0268 781
Texture nozzle, stainless steel, 9 mm	0348 917
Texture nozzle, stainless steel, 10 mm	0268 782
Texture nozzle, stainless steel, 12 mm	0342 327
Texture nozzle, stainless steel, 15 mm	0342 328
Texture nozzle set, stainless steel, 4/6/8/10 mm	0250 243

In-wall nozzles (07)

	Article no.
In-wall nozzle; 10 mm	2362 235
In-wall nozzle; 12 mm	2362 236
In-wall nozzle, 14 mm	0268 746
In-wall nozzle, 16 mm	0268 747
In-wall nozzle, 18 mm	0268 748

Mortar hose (incl. air hose and control cable)

Robust material for high work protection	Article no.
DN19; V27; 2 m incl. swivel joint	2334 131
DN19; V27; 10 m	2325 193
DN25; V27; 10 m	2325 197
DN35; V35; 13,3 m	2325 199

Mortar hose (incl. air hose) (08)

Perfect for heavy materials	Article no.
DN19; V27; 2 m incl. swivel joint	2324 927
DN19; V27; 10 m	2325 194
DN25; V27; 10 m	2325 182
DN35; V35; 13,3 m	2363 405

Accessories for mortar hose

	Article no.
Adapter fix connector V35/M25 (09)	0342 321
Adapter V25/M35 hose connection	0348 920
Air hose DN9, 10.5 m	2311 644
Hose holder (10)	0342 215

Pump casings

	Article no.
Pump casing W15/2, 270x89, brown (11)	0348 925
Pump casing W20/1.5, 270x89, green	0348 927
Pump casing W10/2.5, 270x89, black	0348 311
Pump casing W10/3, 270x89, yellow	0348 315
Pump casing PC 430/ PC 830	2304 954

Pump worm (12)

	Article no.
Pump worm W10/2.5, Ø = 40 mm, L = 317 mm, black	0348 312
Pump worm W10/3, Ø = 40 mm, L = 320 mm, yellow	0348 316
Pump worm W15/2, Ø = 40 mm, L = 320 mm, brown	0348 926
Pump worm W20/1.5, Ø = 40 mm, L = 320 mm, green	0348 928
Pump worm PC 830	2304 986
Pump worm PC 430	2316 375



Further accessories

Accessories for flow mixer PlastMix 15	Article no.
Flow meter	2349 234
Solenoid valve	2349 458
Mixing shaft, for glue	2349 451
Mixing shaft	2349 436
PUR mixing tube	2359 241
Power cable, 6 m	2349 166
Transport shaft, for glue	2349 450
Transport shaft	2349 434
Water hose	2349 514

Accessories for PlastCoat HP 10	Article no.
Spray lance (without nozzle holder and nozzle)	2368 604
TradeTip 3 nozzle 639	0553 639
TradeTip 3 nozzle 643	0553 643
Nozzle holder, G-thread 7/8", for TradeTip 3 nozzles	0289 390
Mortar hose (DN 19; 10 m)	2368 630
Mobility hose (DN 13; 2.5 m)	2368 631
Extension hose (DN 19, 10m)	2368 627
Extension hose (DN 19, 20m)	2368 628
Extension hose (DN 19, 30m)	2368 629
Remote operation	2368 460
Extension cable for remote operation in different lengths (5 - 40 m)	23685XX
Rotor and stator; complete	2367 496
PlastCoat HP10 sack press table (01)	2367 229
Cleaning ball	2368 524
Cleaning and conservation agent (1 l)	2368 525

Support table incl. roller press	Article no.
Support table cpl. for PC 830 (02)	2318 389
Sliding cap, for support table for PC 25 / 35	0348 962
Support table cpl. for PC 25 / PC 35 (03)	0348 963

Cleaning and storage	Article no.
Brush with handle and cap (04)	9100 095
Bottle brush for cleaning interior of outlet unit and spraying lance (05)	0342 329
Cleaning adapter M27GK	0342 241
Cleaning adapter M35GK (06)	0348 948
Cleaning brush, 280 to 420 mm long	0348 959
Cleaning ball DN19, 25 mm (07)	0342 330
Cleaning ball DN27, 30 mm	0342 331
Cleaning ball DN35, 40 mm	0342 332
Cleaning needle, for plaster spraying nozzles	0342 916
Tool box, premium, without content (08)	0348 450

Other	Article no.
Adapter machine plug to Harting (09)	2337 504
Seal, fix-coupling M27 (10)	0342 314
Seal, fix-coupling M35	9971 531
Pump lubricant 500 ml	9992 824
Control cable for automatic lance, 14 m (11)	2311 692
Toolbox, for PlastCoat (12)	0348 958



The pump technology in detail

Technology	Screw pump
Description	Screw pumps use displacement mechanisms to deliver the material. Two components, the rotor and the stator, are used for this. The rotor rotates and thus transports the material gently to the cavities of the stator. This technology can be used to transport extremely heavy materials, for example, for machine application of plaster, where the material is transported along the hose to the spraying lance using a screw pump. By adding compressed air at the end of the spraying lance, the material is atomised.
Benefits and applications	<ul style="list-style-type: none">• Possible to work with highly filled materials• Wide variety of material with just one device• Uncomplicated technology allows users to work continuously with reduced strain and without the need for extensive training• Optimising the construction site logistics: Long hose lengths enable automatic transport of materials over 30 m• Continuously variable material delivery control• The material is pumped gently inside the compressor



Printed in Germany · Subject to modifications · EN · 2350 101 · 02/2017 M

Our professional guarantee convinces. Take our word for it.

Extend your 3 years standard guarantee to 5 WAGNER professional years. That is unique within the industry. Register now online at www.wagner-group.com/professional-guarantee or scan the QR- code with your smartphone!



Images may vary.

At your specialist WAGNER retailer: